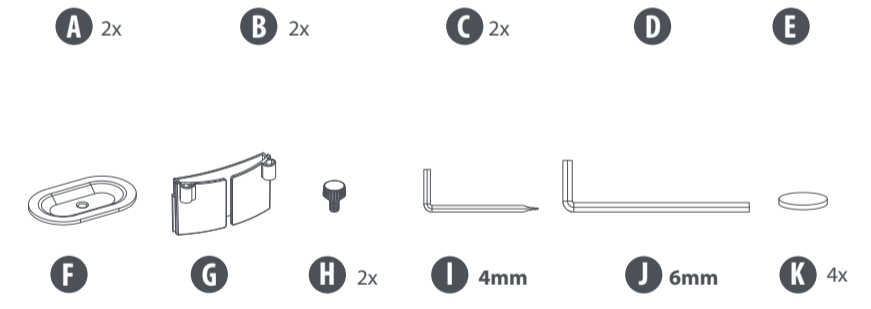
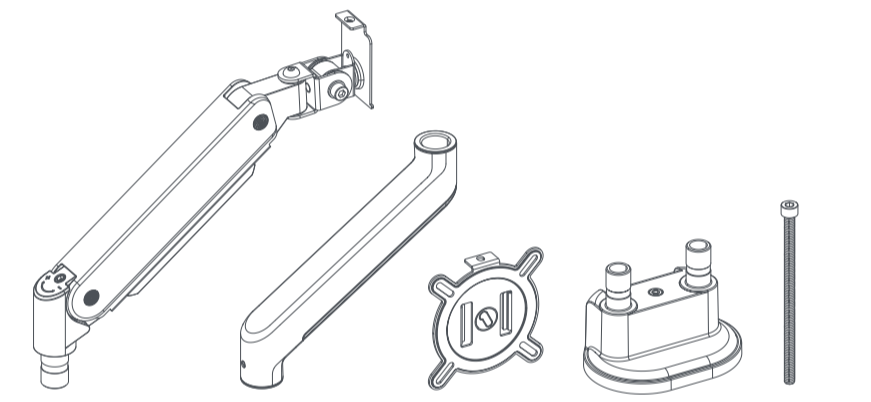
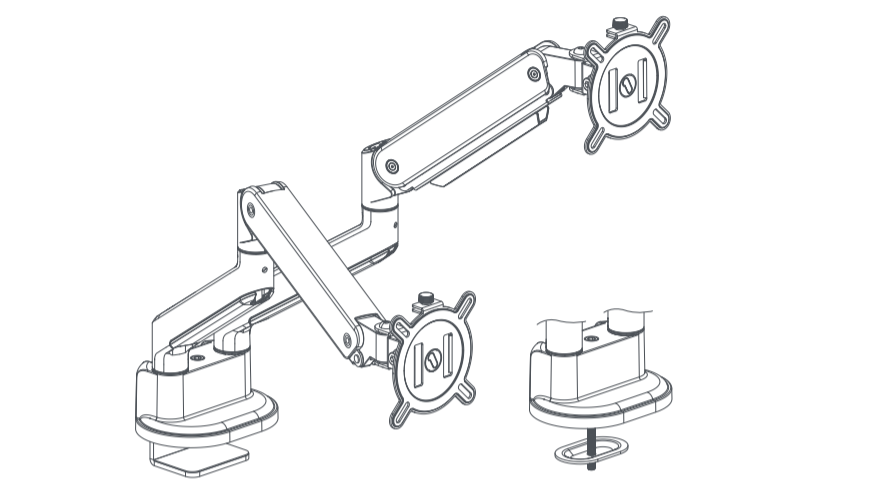






Universal  
100 x 100 max



- Package M**
- M-A 8 x M4x12mm
  - M-B 8 x M4x16mm
  - M-C 8 x M5x12mm
  - M-D 8 x M5x16mm
  - M-E 8 x D5
  - M-F 8 x ø15xø8x5mm

Separate the waste  
Differenzia i Rifiuti



<http://www.oneforall.com/documents>

Universal Electronics B.V. - Europe & International  
P.O. Box 3332, 7500 DH Enschede  
The Netherlands  
DNM4210/DNM4220  
713622  
BDN-1250924

**START**

**1**

**2a CLAMP INSTALLATION**  
for 10-50mm thickness desks

**2b GROMMET INSTALLATION**  
for 10-50mm thickness desks  
& ø10-60mm installation holes

**3**

**4**

Too Long Too Short

**5**

**CAUTION:** Do not release the monitor immediately after hanging and wait until you are sure it is stable in its position to prevent injury to personnel or equipment. If the arm rises or falls, refer to the next step for adjustment.

**6**

Before adjusting the spring tension and during the adjustment process, **position and hold the arm horizontally as shown**. Use the supplied Allen Key for adjustment. Ask for assistance should you require it.

If the arm **drops**, turn the adjustment screw in the + direction until it remains in a horizontal position.

If the arm **rises**, turn the adjustment screw in the - direction until it remains in a horizontal position.

**CAUTION: DO NOT** over tighten the screws.

**7**

**Note:** If the display does not stop at your desired position, adjust the screws using the tools as shown.

**CAUTION:** DO NOT rotate the monitor past rear edge of desk to avoid an unstable situation that may cause tipping.

**FINISH**